

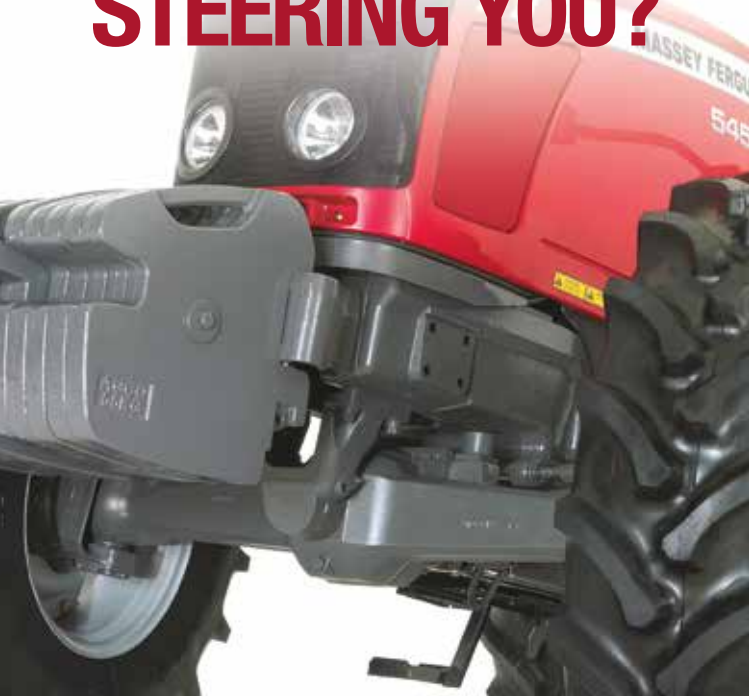


MASSEY FERGUSON

THE GENUINE CHOICE

# AXLES & STEERING

**DO YOU STEER  
YOUR MACHINE?  
OR IS YOUR MACHINE  
STEERING YOU?**





# OIL LEAKS, EXTREME NOISE AND IRREGULAR TYRE WEAR COULD BE EARLY INDICATORS OF AXLE PROBLEMS. **SO LOOK, LISTEN AND GET THEM FIXED.**

The axles and steering system on your tractor has a tough job to do channelling all that power to the ground and absorbing the huge stresses and strains the machine undergoes in its daily duties.

Massive loads and forces make enormous demands on these heavy duty machines.

But don't take them for granted. Like any other component or sub-assembly, axles and steering systems are subject to wear and tear. They need regular care and attention. Don't forget them.

Make axles and steering part of your routine maintenance plan to avoid unproductive downtime and added costs.

**Contact your dealer now for a full check.**

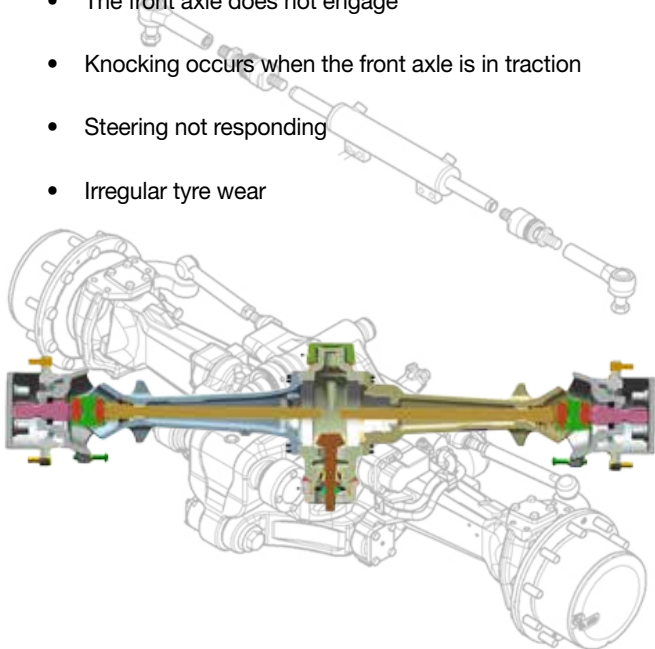




# CHECK YOUR AXLES AND STEERING. CUT THE RISK OF COSTLY BILLS.

## COMMON PROBLEMS

- Differential lock operating incorrectly
- Noise when in traction and overrunning
- Noisier when overrunning than when in traction
- Noise when steering
- A rubbing noise is produced during steering
- The front axle remains engaged
- The front axle does not engage
- Knocking occurs when the front axle is in traction
- Steering not responding
- Irregular tyre wear





The  
**Genuine**  
Choice

[www.agcopartsandservice.com](http://www.agcopartsandservice.com)

DEALERSHIP



© AGCO 2017. AGCO Parts provides worldwide genuine support to all AGCO machinery brands. A2735.17