

FENDT

The whole is
less than the
sum of its parts!

Repair & Maintenance Kits

AXLES & STEERING



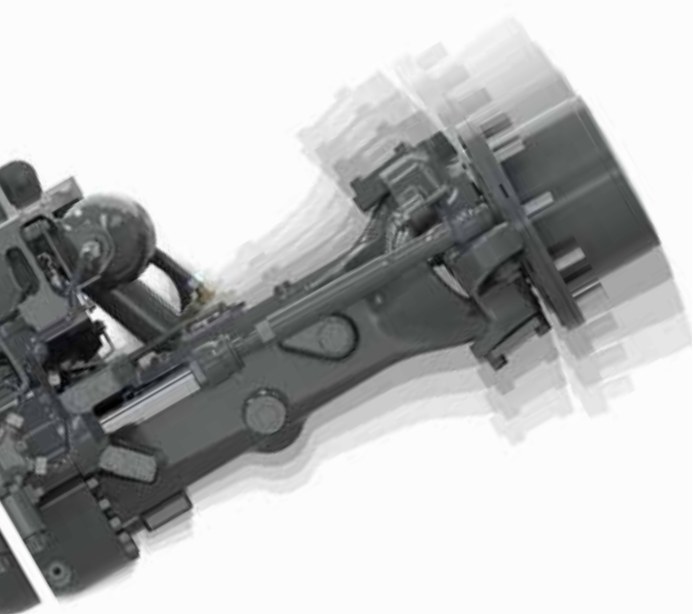


At AGCO we are always looking for more efficient and cost effective ways to help our customers take care of their machine.

That is why we are introducing a new range of Axle & Steering Repair & Maintenance Kits for the most popular ranges of tractors such as:

- FENDT 712-714-716-718,
- Favorit 711-712-714-715-716,
FENDT 817-818-820

Our range of kits has been created to reduce the risk of expensive breakdowns by providing a cost effective regular axle maintenance solution. Choosing these comprehensive kits to replace all wearable parts means less downtime for the tractor and less workshop time saving you money!



These genuine kits approved by Fendt Engineering are manufactured to the strict tolerances of your original axle for guaranteed fit, performance and reliability.

Benefits of choosing an axle and steering kit:

- Replacing several Parts in one visit reduces overall workshop time
- Reduced unproductive downtime
- Reduced labour costs
- Extended lifespan of the axle and steering systems
- Reliable performance for peace of mind
- Only genuine AGCO Parts used for guaranteed fit and function

All backed by our **12 months warranty**
(T&C apply)







The
Genuine
Choice

SIGNS THAT YOUR AXLES AND STEERING NEED **URGENT INSPECTION:**

- Differential lock operating incorrectly
- Noise when in traction and overrunning
- Noisier when overrunning than when in traction
- Noise when steering
- A rubbing noise is produced during steering
- The front axle remains engaged
- The front axle does not engage
- Knocking occurs when the front axle is in traction
- Steering not responding
- Irregular tyre wear

DEALERSHIP



© AGCO 2017. AGCO Parts provides worldwide genuine support to all AGCO machinery brands. A2862.17

www.agcopartsandservice.com